

GC29 Two Way Drop-T Non-Locking Latch System

Features

- With multi-point versions the centre latching tongue can be removed to provide 2-way action only. The centre case can then be used with rods, or with standard end latches as illustrated. Adjustable for either LH or RH movement.
- Use with 10 mm rods as a 'deadbolt' latch or with end-latches and link bars as a 2-way slam system.



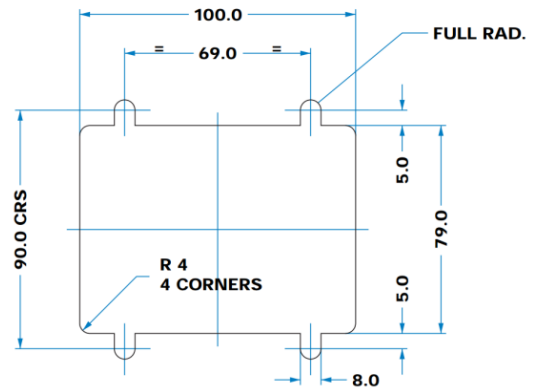
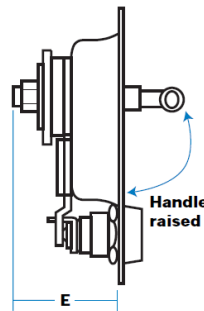
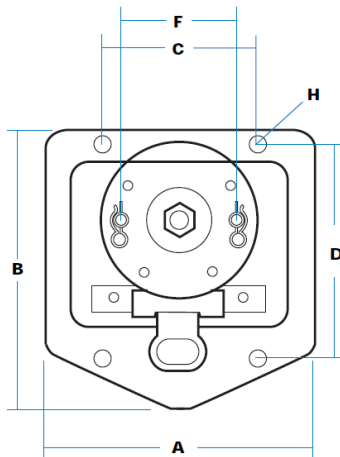
GC29-G01621
(2 way slam latch system)

Material

- Polished die cast 'hub', and neoprene seal under stainless 'cup' washer for good appearance, corrosion-resistance and weatherproofing.

Notes

- Contact Gripwell sales for end latches selection (**GD9 Series**)
- Additional spare rods can also be purchased separately (**G18702**)



Part No.	Type	Material	Key	A	B	C	D	E	F	H
GC29-G01621	Complete System	Stainless Steel	Mixed	120	125	69	95	45	52	7.5
GC29-G01621-01			FS880							
GC29-G01622		Mild Steel	Mixed							
GC29-G01622-01			FS880							
GC29-G01623	Centre Case Only	Stainless Steel	Mixed							
GC29-G01623-01			FS880							
GC29-G01624		Mild Steel	Mixed							
GC29-G01624-01			FS880							